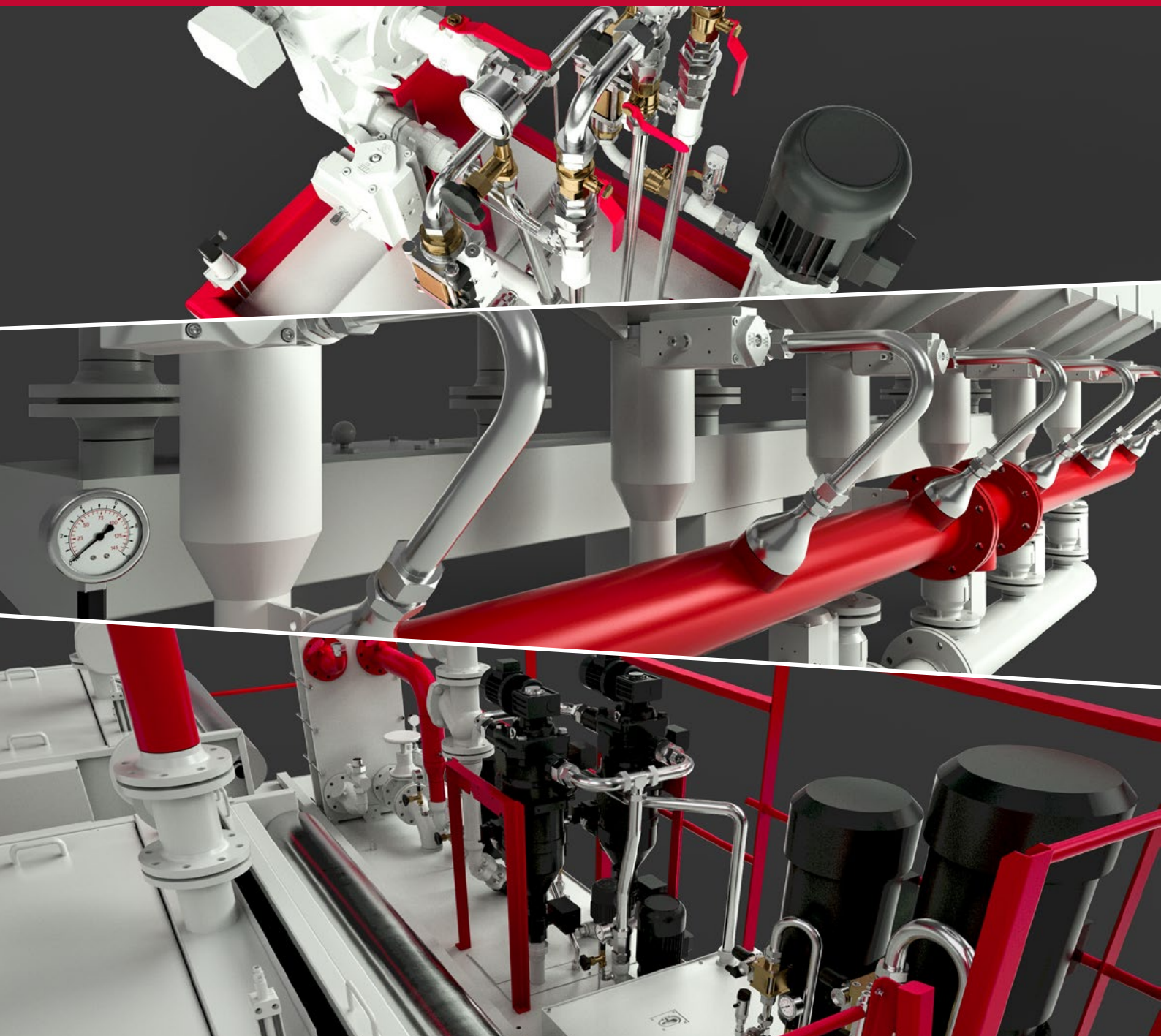




BAER



Your specialist
for coolant cleaning systems
and chip conveyors

www.baer-anlagentechnik.de

Chip conveyors

Continuously transport chips from the machine base or the entire production areas. The advantages are rational production process, better dimensional stability of the workpieces, longer service life of the coolant, minimal machine downtimes and minimised risk of accident.

Apron conveyors

For transport of long and mixed chips as well as part transfer.

Belt divisions: 38.1 mm, 63 mm and 100 mm

Belt widths: 100 – 1000 mm in intervals of 50 mm

Belt types: unperforated, perforated and knobbed

Magnetic slide belts

For transport of short, ferromagnetic chips.

Conveyor widths: 200 to 800 mm

In intervals of 100 mm

Scraper conveyors

For conveying short and mixed chips that do not form balls of chips.

Transport chain pitches: 38.1 mm, 63 mm and 125 mm

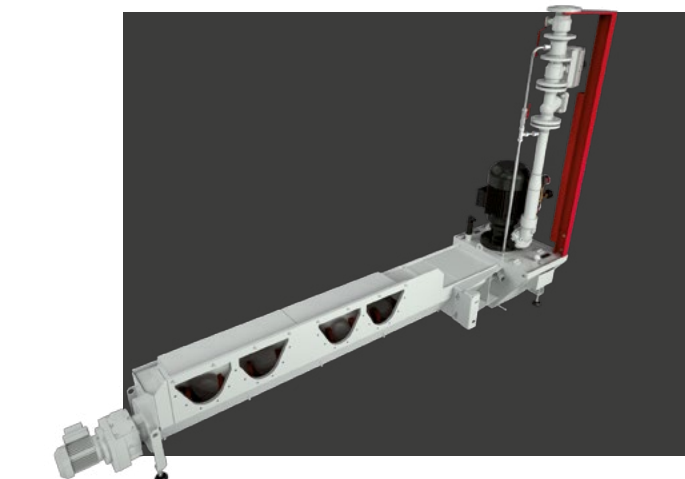
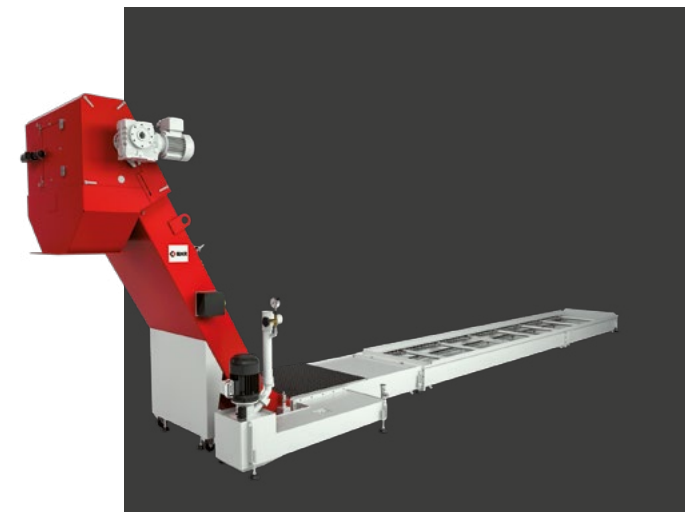
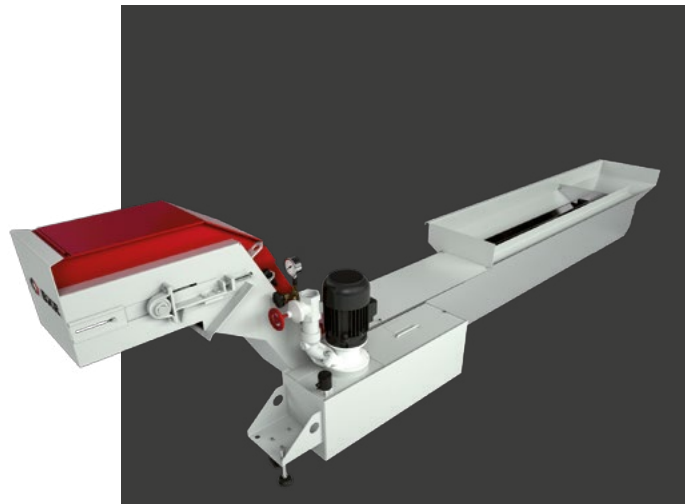
Conveyor widths: 100 - 2000 mm in intervals of 50 or 100 mm

Trough screw conveyors

Compact conveyor for transport of short chips.

Conveyor channel width > 180 mm

Conveyor channel height > 180 mm



Rinsing channels

For transport of short, broken chips in case of high coolant volume flow.

Rinsing channel width: 150 - 1000 mm



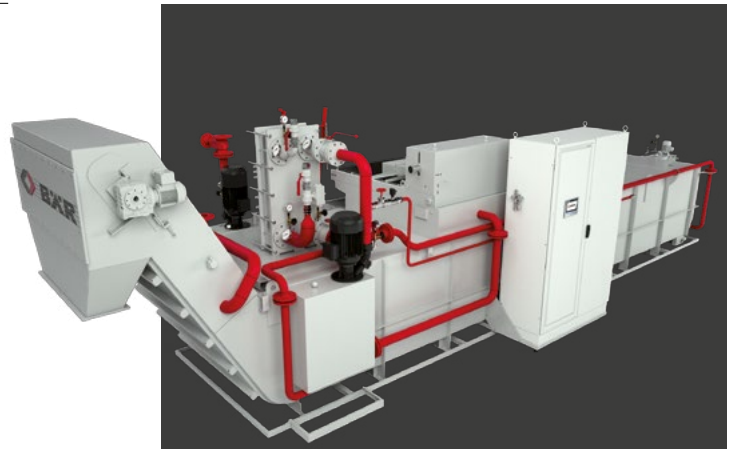
Magnetic sliding conveyors

Efficient separation of ferromagnetic particles from liquids, prevents the accumulation of mud in the container.

Flow rates up to 5000 l/min

Separation size 30-80 μ

Depending on the design



Special and central installations

Designed ideally for the corresponding requirement for supply and disposal of the individual machines, machine groups or whole production areas.

We deliver turnkey installations including the location planning on request.



Sedimentation separators

For automatic separation of the particles with a specific weight $> 2 \text{ g/cm}^3$ from the low viscosity liquids.



Coolant cleaning installations

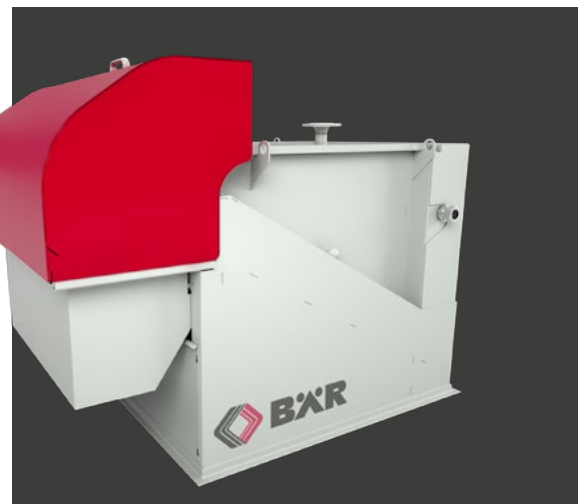
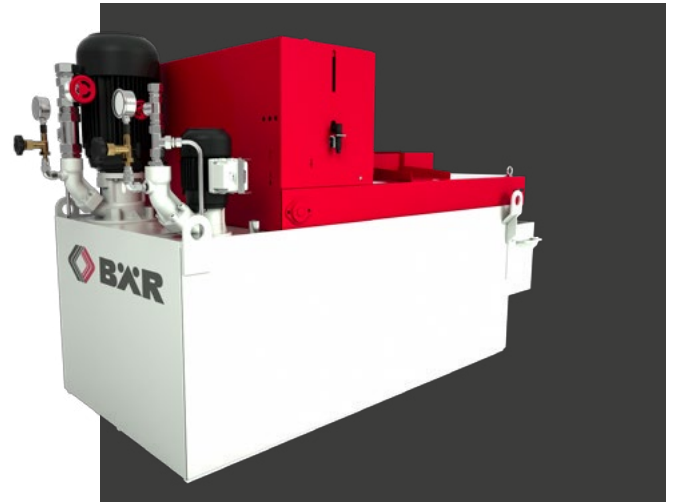
For separation of the particles from liquids. The surface quality of the workpieces and service life of the coolant will be enhanced. They reduce wear and maintenance costs on the machine tools.

Gravity band filters/ deep-bed filters/round-bed filters

For the automatic cleaning of low viscosity liquids, such as coolant emulsion, cutting oil, washing liquid etc.

Flow rates up to 1500 l/min in intervals of 50-100 l/min

Nominal grade of filtration 10-50 μ , depending on the used filter fleece quality as well as the structure of the filter cake. In case of higher dirt contamination, a magnetic separator can be installed in advance.



Deep-bed filter/vacuum belt filter with continuous filter cloth

Cleans coolant emulsion, cutting oil, washing liquid etc if there is little place available, fully automated and without filter fleece consumption.

Flow rate up to 1500 l/min

Nominal grade of filtration 10-50 μ , depending on the used filter fleece quality.

Backwash filters

For ultra-fine cleaning of cooling lubricant in closed and open systems.

Flow rate up to 400l/min

Nominal grade of filtration 30 μ

Flow rate can be multiplied by parallel connection of several backwash filters.



Magnetic separators

For automatic separation of ferromagnetic particles from liquids.

Flow rates up to 1100 l/min



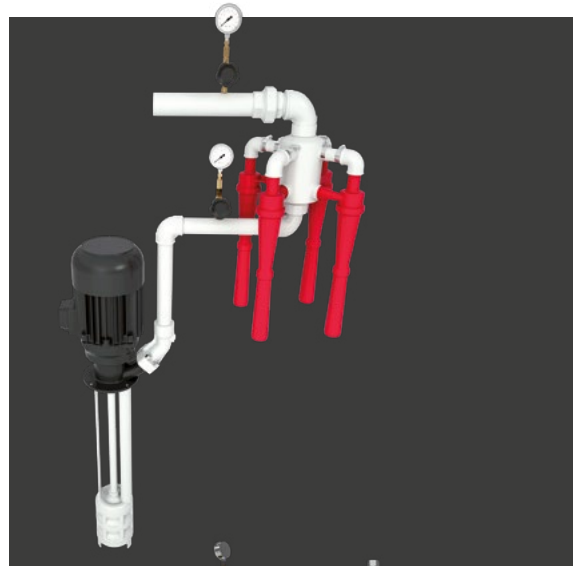
Hydrocyclone systems

For separation of the specific heavy particles from low viscosity liquids, such as coolant emulsion etc.

Flow rate each cyclone 20 l/min, 85 l/min, 600 l/min

Separation size 8, 10, 20 μ

Flow rate can be multiplied by parallel connection of several cyclones. The entry of the separation size relates to the ball form and specific weight $> 2\text{g/cm}^3$ of the particles.



High pressure systems

For coolant supply through pressure up to 200 bar. Pump operating point control, if required, in stages, continuously, manually or fully automated.



Oil suction systems/ oil bandskimmers

For suction of floating foreign oils of cooling emulsions, detergent solutions etc.

Type series VS 25

Suction output < 25 l/min

Type series OBS

Skim output < 0.5 l/min



Further delivery programme

Filter fleeces

In different qualities and all standard widths.

Pumps

For all application areas of coolant supply.

Cooling units

Different systems for economical cooling of cooling lubricants.

Mixing and dosing units

For automatic system filling with coolant emulsion.

Grinding sludge press

For recycling of grit coolant from grinding sludge.

Chip cutting units

For chip crushing, e.g. for lifting stations.



Bär+Co. Anlagentechnik GmbH

Eichenstraße 18
D-78256 Steißlingen

Telephone 0049 (0) 7738 9232 - 00
Telefax 0049 (0) 7738 9232 - 20

info@baer-anlagentechnik.de
www.baer-anlagentechnik.de

